


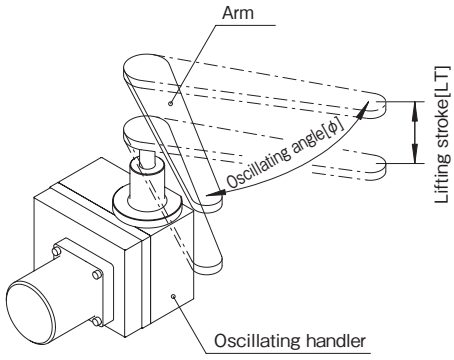

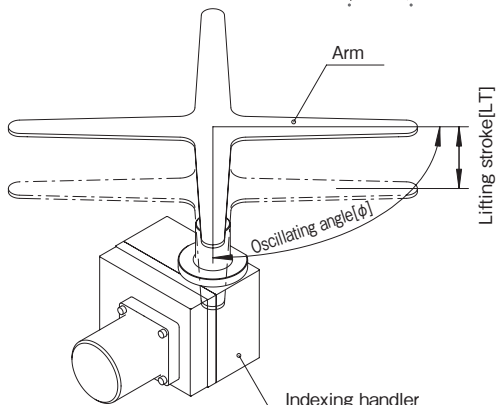
Model Sizing Form for the SANDEX Oscillating handler/Index handler

SANKYO SEISAKUSHO CO.

FAX seat

Model Sizing Form for the SANDEX series〈P&P unit〉

Customer's Company, Department			
Address			
Name			
TEL		FAX	
E-mail			

<p>Oscillating handler </p>  <p>● Oscillating angle φ <input type="text"/> deg ● Lifting stroke LT <input type="text"/> mm ● One cycle time <input type="text"/> sec (Input shaft speed <input type="text"/> rpm) ● Stop time at position ① <input type="text"/> sec Stop time at position ② <input type="text"/> sec</p>	<p><input type="checkbox"/> Indexing handler </p>  <p>● Number of stops S <input type="text"/> (stations) ● Lifting stroke LT <input type="text"/> mm ● One cycle time <input type="text"/> sec (Input shaft speed <input type="text"/> rpm) ● Stop time at each station <input type="text"/> sec</p>
<p>Memo</p>	<p>● Torque Limiter <input type="checkbox"/> Yes <input type="checkbox"/> No</p> <p>● Timing Cam - Photo Switch <input type="checkbox"/> Yes (<input type="text"/> set) <input type="checkbox"/> No</p> <p>● Knock pin holes in housing <input type="checkbox"/> Yes <input type="checkbox"/> No</p> <p>● Keyway in input shaft <input type="checkbox"/> Yes <input type="checkbox"/> No</p>

■Tokyo Sales Office 3-37-3 Kitashinmachi, Kita-ku, Tokyo, Japan 114-8538 PHONE: +81-3-3800-3330 FAX: +81-3-3893-7065
■Nagoya Sales Office 4-14-2 Sakae, Naka-ku, Nagoya, Japan 460-0008 (Hisaya Park Building 9th Floor) PHONE: +81-52-265-0577 FAX: +81-52-265-0578
■Osaka Sales Office 4-4-10 Honmachi, Chuo-ku, Osaka, Japan 541-0053 (Honmachi, Central Office 7th Floor) PHONE: +81-6-6253-1911 FAX: +81-6-6253-1912
■Miyagi Sales Office 2-1 Yomogitanishi, Shiwahime Minamigo, Kurihara, Miyagi, Japan 989-5611 PHONE: +81-228-23-5122 FAX: +81-228-23-5123
■Shizuoka Office 2290 Honjo, Kikugawa, Shizuoka, Japan 439-0018 PHONE: +81-537-36-5715 FAX: +81-537-36-2381
■Fukuoka Office 6-3-4-303 Notame, Minami-ku, Fukuoka, Fukuoka, Japan 811-1347 PHONE: +81-92-286-3880 FAX: +81-92-286-3881
■HP-URL <http://www.sankyo-seisakusho.co.jp>