

Model Sizing Form for the SANDEX Indexing Drive

SANKYO SEISAKUSHO CO.

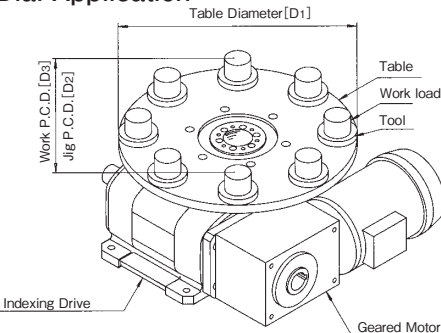
FAX seat

Model Sizing Form for the SANDEX series

Customer's Company, Department			
Address			
Name			
TEL		FAX	
E-mail			

● Number of stops S
 ● Dwell time t_1 sec
 ● Index time t_2 sec

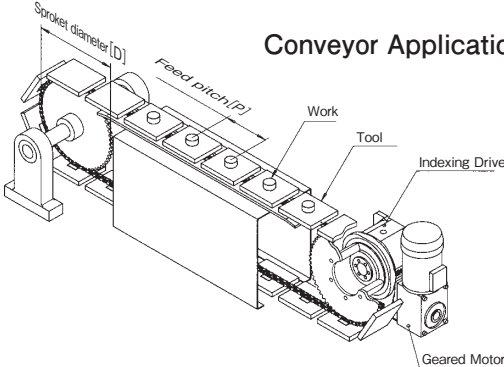
Index Dial Application



● Table diameter D_1 mm
 ● Table weight M_1 kg
 ● Jig P.C.D. D_2 mm
 ● Weight per tool M_2 kg
 ● Number of tool n_2
 ● Work P.C.D. D_3 mm
 ● Weight per work M_3 kg
 ● Number of work n_3

● Feed pitch P mm
 ● Weight of chain with attachment M_1 kg
 ● Weight of tool M_2 kg
 ● Weight of work M_3 kg
 ● Sprocket diameter D mm
 ● Weight per sprocket M_4 kg
 ● Number of sprocket n_4
 ● Coefficient of friction μ

Conveyor Application



Geared Motor	Yes · No	Inverter	Yes · No
Torque Limiter	Yes · No	Timing Cam-Photo Switch	Yes (set) · No

Memo