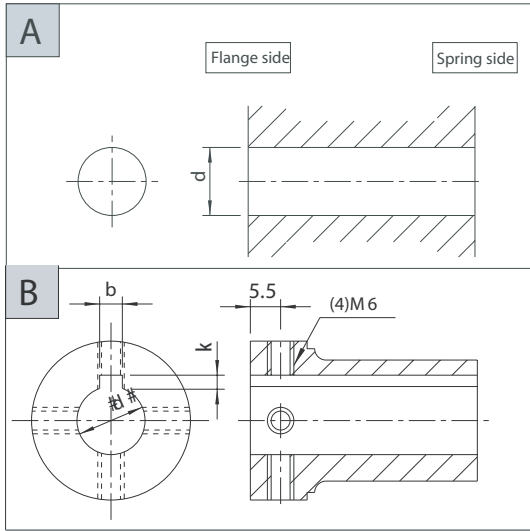


Shaft hole dimensions

Figure 4TC-3



Shaft hole dimension ordering codes Unit : mm

Table 4TC-3

A	No.	d	Code No.
	1	12H7	05TC-12H 7
2	14H 7	-14H 7	
3	15H 7	-15H 7	
4	16H 7	-16H 7	
5	18H 7	-18H 7	
6	20H 7	-20H 7	
7	22H 7	-22H 7	

B	No.	d	b x h	Code No.
	1	15H 7	5Js 9 X 23	05TC-15K 5 JM6 4
2	16H 7	"	-16K 5 JM64	
3	17H 7	"	-17K 5 JM64	
4	18H 7	6Js 9	-18K 6 JM64	
5	20H 7	"	-20K 6 JM64	

Option

Shaft mounting flange

Code No)

05TC-C d O

Table 5TC-4

d (mm)	Reference transmitted torque (N·m)
12 ^{+0.018} / _{+0.0}	54
14 ^{+0.018} / _{+0.0}	66
15 ^{+0.018} / _{+0.0}	74
16 ^{+0.018} / _{, 1.1}	80

Torque for fastening set bolt TA=3.6 (N·m)

Figure 5TC-4

