

SANKYO 4TF TORQUE LIMITER

Unit : mm

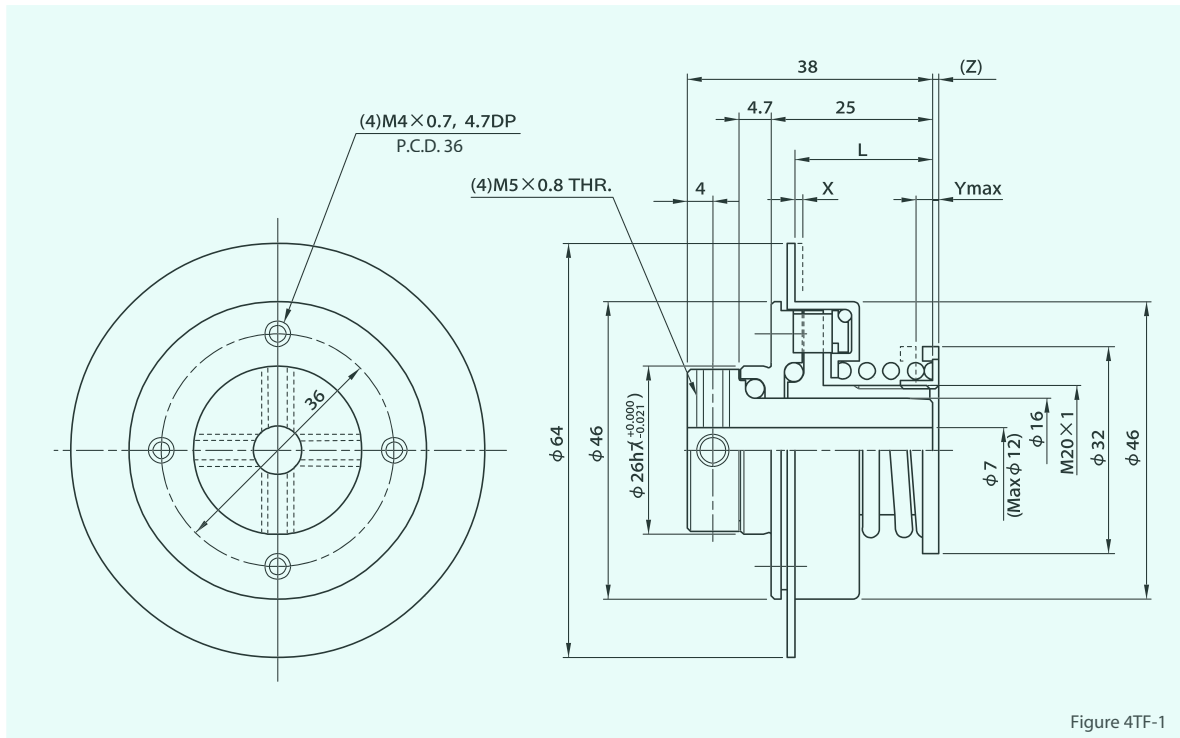
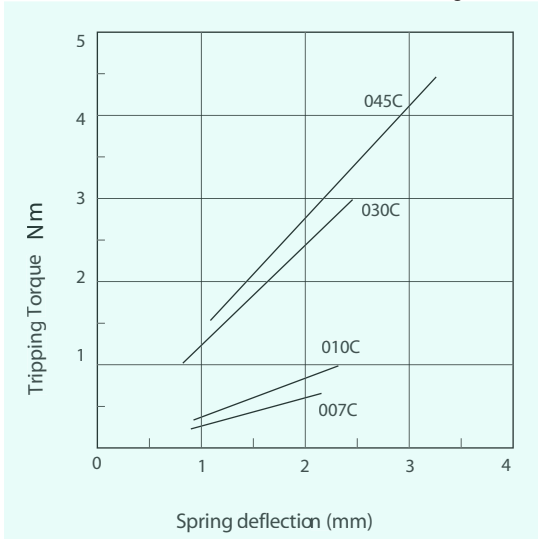


Figure 4TF-1

Torque Diagram

Figure 4TF-2



Dimensions

Table 4TF-1

Model	Range of tripping torque(N·m)	L (mm)	X (mm)	Ymax (mm)	(Z) (mm)
4TF-0007C	0.3 ~ 0.7	21.2	1.1	2.2	0.7
-010C	0.4 ~ 1.0	21.4	1.3	2.4	0.5
-030C	1.0 ~ 3.0	21.2	1.1	2.5	0.7
-045C	1.5 ~ 4.5	21.4	1.3	3.3	0.5

Specifications

Table 4TF-2

Item	Unit	Value
Pitch of thread	mm	1
Max. allowable radial load	N	69
Max. allowable thrust load	N	392
Max. allowable bendingmoment	N·m	3.4
Max. revolution per minute	r.p.m.	2000
Moment of inertia	kg·m ²	5.3 x 10 ⁻⁴
Mass	kg	0.24

NOTE

1. Use only recommended shaft fastening devices to match the torque requirement, compression ring type fasteners are a good alternative to keyways types.
2. Measure hole depth before selecting the bolt length.
3. Lock the adjusting nut after setting the torque
4. Torque is set to minimum unless preset is specified.

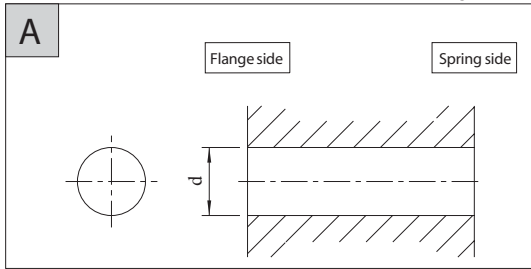
X : Denotes amount of movement when an overload occurs. Optional monitoring sensors can input to the controller to stop the machine.

(Z) : Denotes when the spring height is torque free and should be a reference when calculating tripping torques.

Ymax : Denotes the amount of turns the torque adjustment nut must be turned to obtain maximum tripping torque. Tightening beyond this amount can prevent the torque limiter from tripping.

Shaft hole dimensions

Figure 4TF-3



Shaft hole dimension ordering codes

Unit : mm

Table 4TF-3

No.	d	Code No.
1	10H 7	04TF-10H 7
2	12H 7	-12H 7