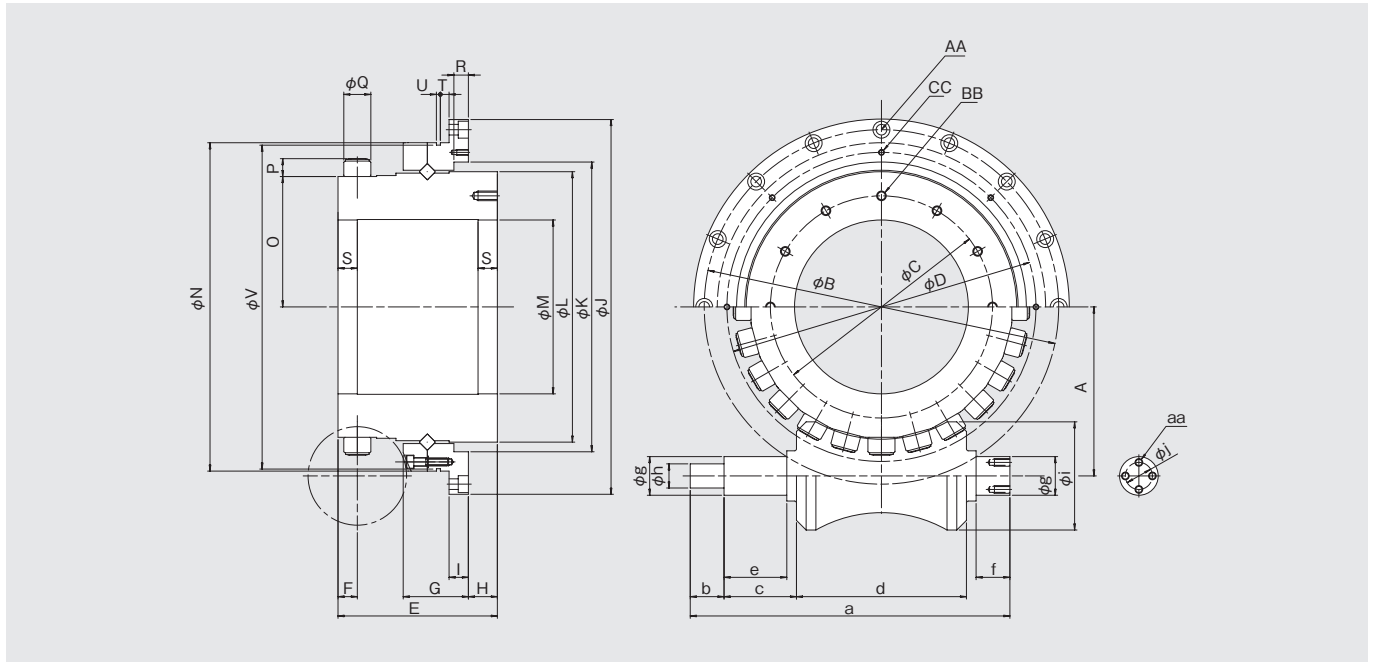


Product Specifications

With a bearing

Dimensions



Unit:mm

Type	a	b	c	d	e	f	g	h	i	j	aa	A	B	C	D	E	F	G	H
C055B	115	20	25	50	20	15	15k5	12h7	44	9	4-M3	55	108	50	87	68	8	23	15
C070B	156	20	39	71	34	18	20k5	15h7	50	12	4-M4	70	147	84	117	87	10	39	15
C080B	162	20	39	80	34	18	20k5	15h7	53	12	4-M4	80	162	90	127	88	10	40	15
C090B	172	20	39	90	34	18	20k5	15h7	60	12	4-M4	90	173	100	137	92	12	40	15
C100B	182	20	39	100	34	18	20k5	15h7	65	12	4-M4	100	203	130	180	98	12	48	18
C110B	199	20	47	102	35	20	25k5	20h7	70	16	4-M5	110	223	140	195	105	14	42	20
C123B	227	25	63	111	55	20	25k5	20h7	70	16	4-M5	123	263	160	225	114	20	54.5	20
C175B	331	35	75	176	65	35	40k5	25h7	112	28	4-M8	175	367	230	320	165	20	67.5	30
C200B	371	40	90	186	70	35	45k5	30h7	114	28	4-M8	200	378	250	330	165	25	71	30
C245B	445	40	115	220	90	45	45k5	30h7	128	28	4-M8	245	480	315	400	215	35	90	30
C290B	485	40	120	245	90	50	60k5	45h7	139	30	4-M8	290	590	410	520	222	35	100	30
C410B	570	40	130	320	100	50	60k5	45h7	147	30	4-M8	410	805	610	730	230	40	100	30
C450B	580	40	130	330	100	50	60k5	45h7	157	30	4-M8	450	865	670	800	250	40	104	30

Type	I	J	K	L	M	N	O	P	Q	R	S	T	U	V	AA	BB	CC
C055B	9	119	75H7	65h7	40H7	97h6	33.75	8.5	12	9.5	15	2	2.7	93.5	For 8-M5	6-M5	6-M4
C070B	12	159.5	105H7	95h7	50H7	135h6	51	8.5	12	10	15	3	2.7	132	For 12-M6	8-M6	6-M4
C080B	15	175	115H7	105h7	70H7	150h6	60	9.2	14	10	15	3	4.1	145	For 12-M6	8-M6	6-M4
C090B	15	189	125H7	115h7	70H7	160h6	65	11.5	16	12	15	3	4.1	155	For 12-M8	8-M8	8-M4
C100B	19	219	165H7	150h7	80H7	190h6	72.5	14	19	12	15	5	4.1	185	For 12-M8	8-M8	8-M5
C110B	20	238	180H7	160h7	90H7	210h6	81.5	15	22	12	15	1.5	4.1	205	For 12-M8	8-M8	8-M5
C123B	20	279	205H7	190h7	130H7	229h6	95	15.5	24	12	15	2.9	4.1	224	For 12-M8	8-M10	8-M5
C175B	20	388	300H7	280h7	180H7	340h6	135	18.5	28	15	20	4	4.1	335	For 16-M10	12-M10	8-M6
C200B	20	400	310H7	290h7	200H7	360h6	155	19.5	32	15	20	5	4.1	355	For 16-M10	12-M12	8-M6
C245B	25	505	380H7	350h7	280H7	450h6	199.2	21.7	35	15	25	5	7.5	440	For 16-M12	12-M12	8-M6
C290B	41	615	500H7	470h7	340H7	565h6	235	24	40	20	25	7	7.5	555	For 16-M12	12-M16	8-M6
C410B	48	830	710H7	670h7	530H7	780h6	359	24	40	20	30	7	7.5	770	For 24-M12	12-M16	8-M6
C450B	48	890	780H7	740h7	630H7	840h6	394	24	40	20	30	7	7.5	830	For 24-M12	12-M16	8-M6

Specification sheet(Allowable output torque)

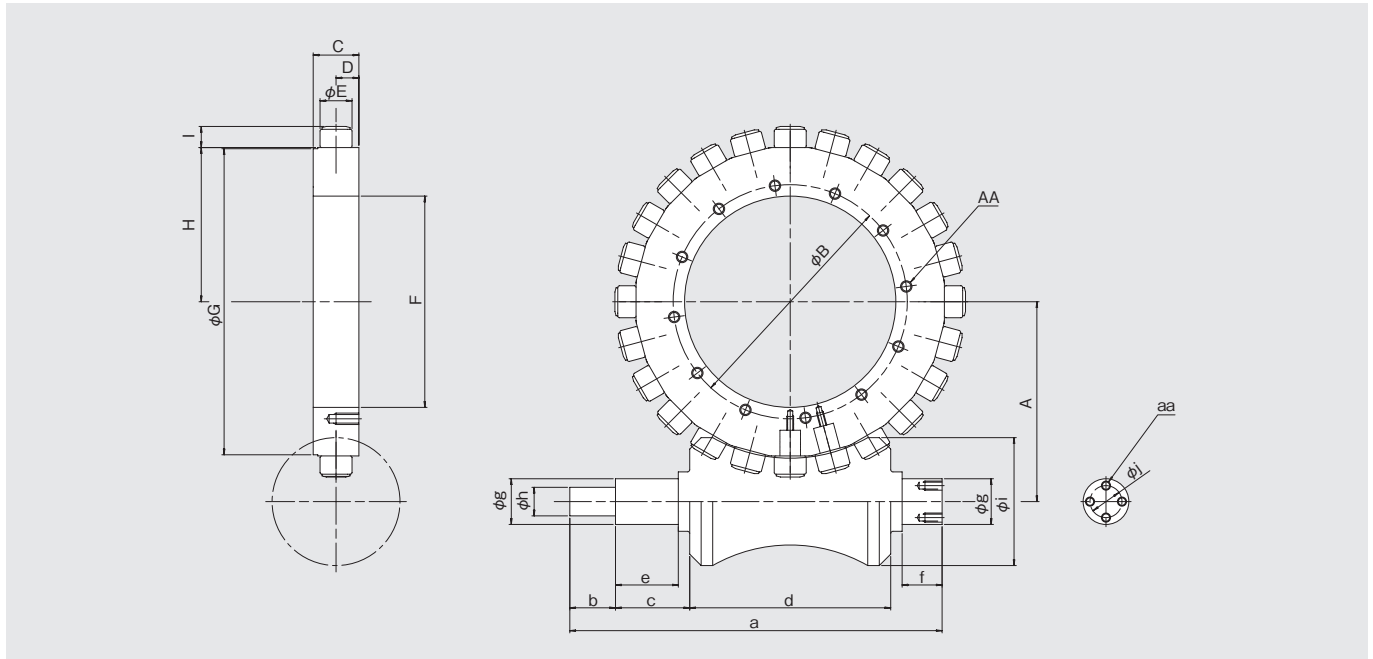
Model	Reducer	Maximum allowable torque Tmax (Nm)	Maximum continuous output torque Top (Nm)				
			10rpm	20rpm	30rpm	40rpm	50rpm
C055B	16	95	45	37	33	30	28
C070B	20	274	131	107	95	87	81
C080B	20	367	175	142	126	116	108
C090B	20	622	297	242	214	196	183
C100B	20	1,021	489	397	352	323	302
C110B	20	1,236	592	481	426	391	365
C123B	20	1,841	882	716	634	582	544
C175B	24	3,250	1,557	1,265	1,120	1,027	961
C200B	24	4,132	1,980	1,608	1,424	1,306	1,221
C245B	30	5,987	2,868	2,330	2,063	1,892	1,770
C290B	30	9,986	4,784	3,886	3,441	3,156	2,952
C410B	40	14,960	7,167	5,821	5,154	4,728	4,422
C450B	45	20,564	9,851	8,002	7,085	6,499	6,078

Specification sheet(Allowable load·Allowable bending moment)

Model	Allowable radial load(N)	Allowable axial load(N)	Allowable bending moment(Nm)
C055B	3,337	7,416	138
C070B	7,858	17,462	497
C080B	7,869	17,487	584
C090B	8,238	18,300	677
C100B	8,596	19,102	896
C110B	10,653	23,673	1,466
C123B	11,562	25,694	1,867
C175B	28,330	62,956	7,317
C200B	46,599	103,553	13,237
C245B	69,678	154,840	24,437
C290B	71,844	159,654	33,587
C410B	98,655	219,234	82,703
C450B	107,139	238,088	101,823

Roller Gear Type

Dimensions



Unit:mm

Type	a	b	c	d	e	f	g	h	i	j	aa	A	B	C	D	E	F	G	H	I	AA
C070	156	20	39	71	34	18	20k5	15h7	50	12	4-M4	70	75	20	10	12	60H7	100h7	51	8.5	10-M6
C080	162	20	39	80	34	18	20k5	15h7	53	12	4-M4	80	90	20	10	14	75H7	118h7	60	9.2	10-M6
C090	172	20	39	90	34	18	20k5	15h7	60	12	4-M4	90	95	25	12.5	16	80H7	128h7	65	11.5	10-M6
C100	182	20	39	100	34	18	20k5	15h7	65	12	4-M4	100	105	25	12.5	19	85H7	143h7	72.5	14	10-M8
C110	197	20	47	102	35	20	25k5	20h7	70	16	4-M5	110	120	30	15	22	100H7	161h7	81.5	15	10-M8
C123	227	25	63	111	55	20	25k5	20h7	70	16	4-M5	123	145	35	17.5	24	130H7	188h7	95	15.5	10-M8
C175	331	35	75	176	65	35	40k5	25h7	112	28	4-M8	175	205	40	20	28	185H7	268h7	135	18.5	12-M10
C200	371	40	90	186	70	35	45k5	30h7	114	28	4-M8	200	230	45	22.5	32	205H7	308h7	155	19.5	12-M12
C245	445	40	115	220	90	45	45k5	30h7	128	28	4-M8	245	315	50	25	35	295H7	396h7	199	21.7	15-M12
C290	485	40	120	245	90	50	60k5	45h7	139	30	4-M8	290	370	60	30	40	340H7	468h7	235	24	15-M16
C410	570	40	130	320	100	50	60k5	45h7	147	30	4-M8	410	630	80	40	40	600H7	716h7	359	24	20-M16
C450	580	40	130	330	100	50	60k5	45h7	157	30	4-M8	450	700	80	40	40	660H7	786h7	394	24	15-M20

Specification sheet(Allowable output torque)

Model	Reducer	Maximum allowable torque Tmax (Nm)	Maximum continuous output torque Top (Nm)				
			10rpm	20rpm	30rpm	40rpm	50rpm
C070	20	274	131	107	95	87	81
C080	20	367	175	142	126	116	108
C090	20	622	297	242	214	196	183
C100	20	1,021	489	397	352	323	302
C110	20	1,236	592	481	426	391	365
C123	20	1,841	882	716	634	582	544
C175	24	3,250	1,557	1,265	1,120	1,027	961
C200	24	4,132	1,980	1,608	1,424	1,306	1,221
C245	30	5,987	2,868	2,330	2,063	1,892	1,770
C290	30	9,986	4,784	3,886	3,441	3,156	2,952
C410	40	14,960	7,167	5,821	5,154	4,728	4,422
C450	45	20,564	9,851	8,002	7,085	6,499	6,078